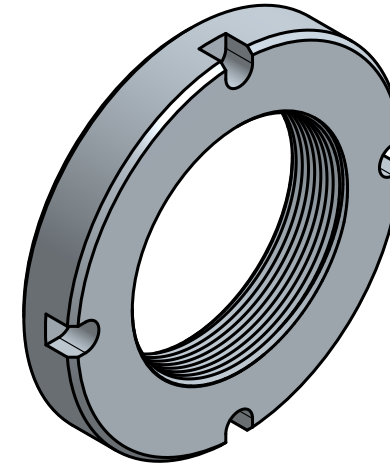
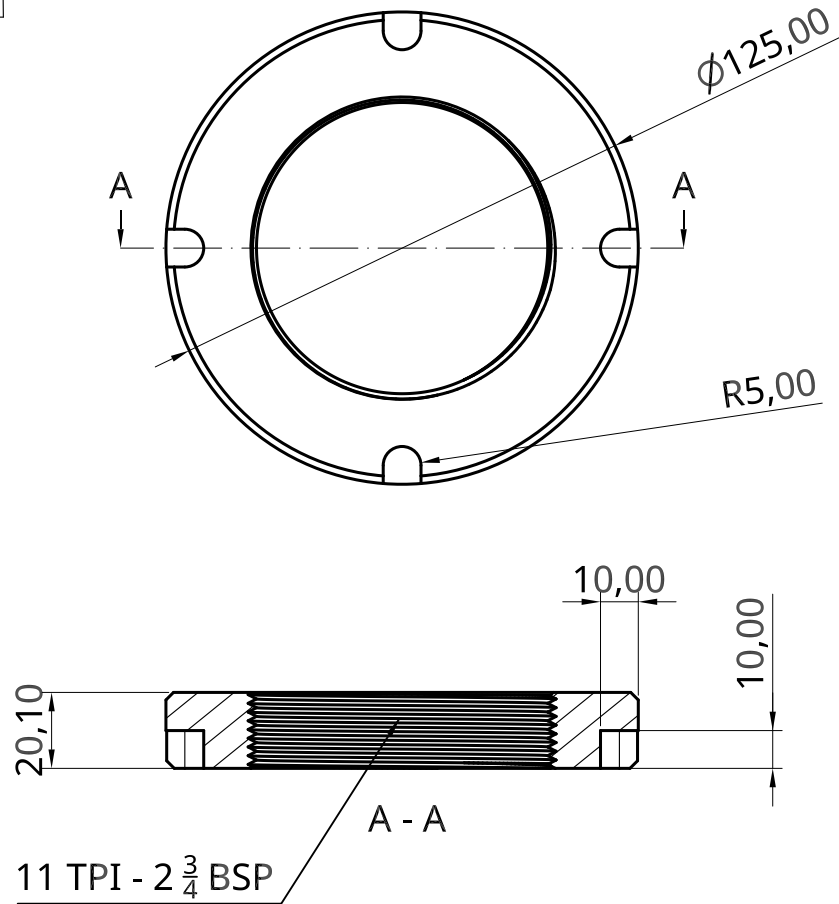


USED ON
31423
31424



REMOVE ALL BURRS AND SHARP EDGES.(UNLESS OTHERWISE STATED). DO NOT SCALE.

THIS DOCUMENT IS DANIAMANT COPYRIGHT AND CONTAINS PROPRIETARY OWNED INTELLECTUAL PROPERTY RIGHTS AND CONFIDENTIAL DATA. ALL RIGHTS ARE STRICTLY RESERVED.THE INFORMATION MUST NOT BE USED EXCEPT FOR THE AGREED PURPOSE.UNAUTHORISED USE, REPRODUCTION, OR ISSUE TO ANY THIRD PARTY IS NOT PERMITTED WITHOUT THE PRIOR WRITTEN AUTHORITY OF DANIAMANT. THIS DOCUMENT IS TO BE RETURNED TO DANIAMANT WHEN THE AGREED PURPOSE IS FULFILLED.

THIS DOCUMENT IS UNCONTROLLED, UNLESS OTHERWISE STATED

MATERIAL : Aluminium

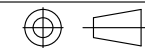
DIMENSIONS IN :- MM

TITLE.  
Skal efter min mening have eget tng nummer



FINISH :-

3RD. ANGLE PROJECTION  
B.S. 8888



TOLERANCES DS/ISO 2768 - m

DRAWING No.

XXXXX

DRAWN  
Franck

RELEASED  
Daniamant

APPROVED  
Daniamant

SCALE  
1:2

SHT. 1  
OF  
SHT. 1

A  
4

0a			
ISSUE	CHG. No.	DATE	APPD