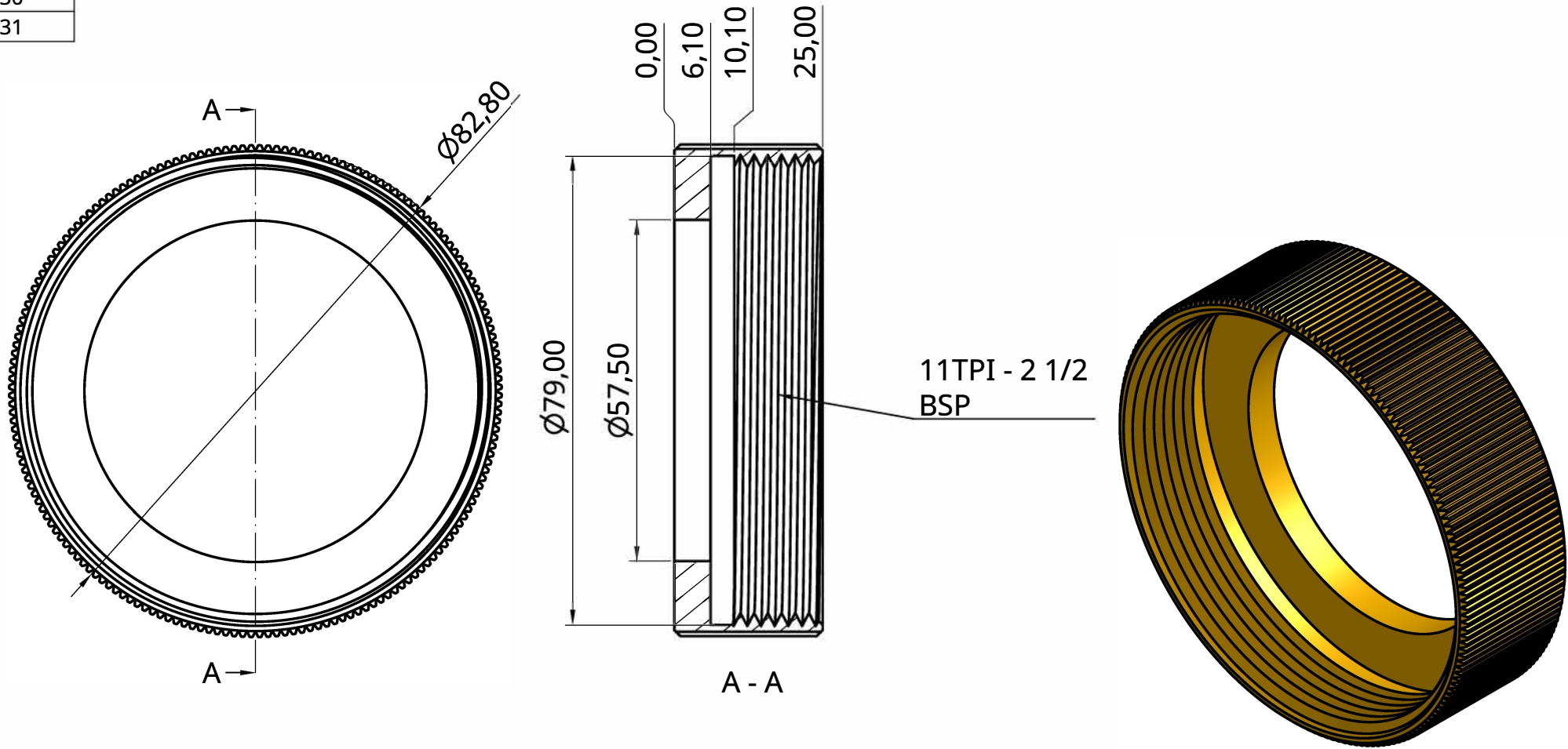


USED ON
31430
31431



REMOVE ALL BURRS AND SHARP EDGES.(UNLESS OTHERWISE STATED). DO NOT SCALE.

THIS DOCUMENT IS DANIAMANT COPYRIGHT AND CONTAINS PROPRIETARY OWNED INTELLECTUAL PROPERTY RIGHTS AND CONFIDENTIAL DATA. ALL RIGHTS ARE STRICTLY RESERVED.THE INFORMATION MUST NOT BE USED EXCEPT FOR THE AGREED PURPOSE.UNAUTHORISED USE, REPRODUCTION, OR ISSUE TO ANY THIRD PARTY IS NOT PERMITTED WITHOUT THE PRIOR WRITTEN AUTHORITY OF DANIAMANT. THIS DOCUMENT IS TO BE RETURNED TO DANIAMANT WHEN THE AGREED PURPOSE IS FULFILLED.

THIS DOCUMENT IS UNCONTROLLED, UNLESS OTHERWISE STATED MATERIAL :

Aluminum

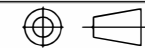
DIMENSIONS IN :- MM

TITLE.
2,5" BSP Alu locking ring for 3D transducer

Daniamant
www.daniamant.com

FINISH :-

3RD. ANGLE PROJECTION
B.S. 8888



TOLERANCES DS/ISO 2768 - m

DRAWING No.
31443

APPROVED	A
Daniamant	
SCALE 1:1	
SHT. 1	4
OF	
SHT. 1	

0a			
ISSUE	CHG. No.	DATE	APPD

DRAWN	APPROVED
Franck	Daniamant

RELEASED	SCALE
Daniamant	1:1