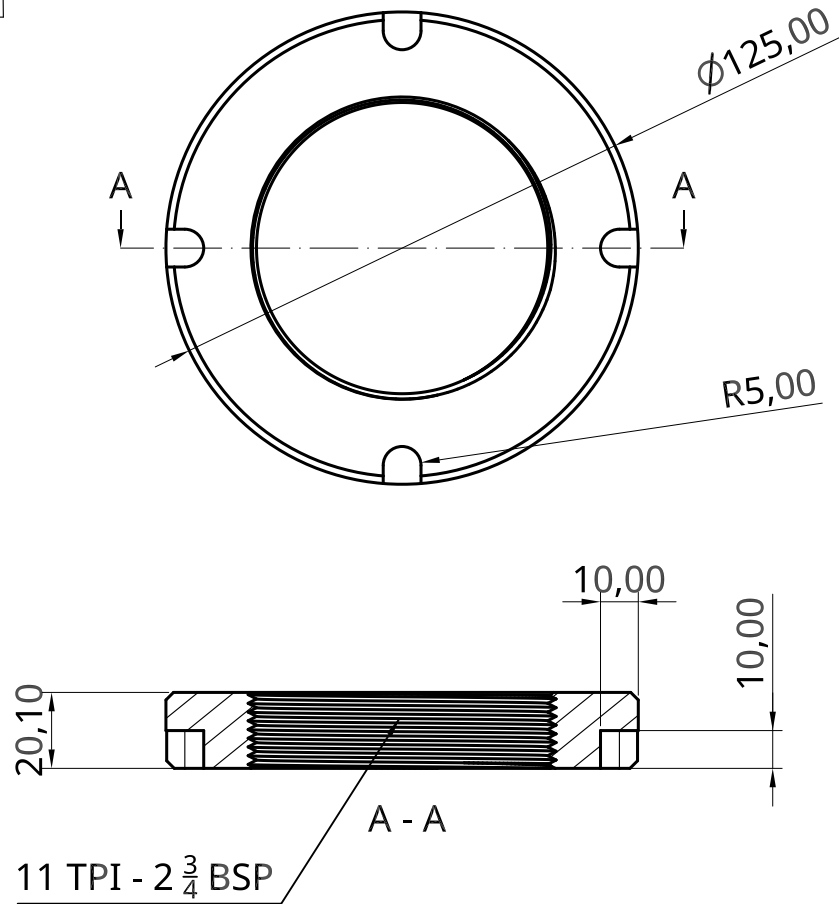


USED ON
31425
31426



REMOVE ALL BURRS AND SHARP EDGES.(UNLESS OTHERWISE STATED). DO NOT SCALE.

THIS DOCUMENT IS DANIAMANT COPYRIGHT AND CONTAINS PROPRIETARY OWNED INTELLECTUAL PROPERTY RIGHTS AND CONFIDENTIAL DATA. ALL RIGHTS ARE STRICTLY RESERVED.THE INFORMATION MUST NOT BE USED EXCEPT FOR THE AGREED PURPOSE.UNAUTHORISED USE, REPRODUCTION, OR ISSUE TO ANY THIRD PARTY IS NOT PERMITTED WITHOUT THE PRIOR WRITTEN AUTHORITY OF DANIAMANT. THIS DOCUMENT IS TO BE RETURNED TO DANIAMANT WHEN THE AGREED PURPOSE IS FULFILLED.

THIS DOCUMENT IS UNCONTROLLED, UNLESS OTHERWISE STATED

MATERIAL : Steel

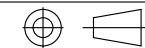
DIMENSIONS IN :- MM

TITLE.  
Skal efter min mening have eget tng nummer



FINISH :-

3RD. ANGLE PROJECTION  
B.S. 8888



TOLERANCES DS/ISO 2768 - m

DRAWING No.  
XXXXXX

DRAWN Franck  
APPROVED Daniamant

RELEASED Daniamant  
SCALE 1:2

SHT. 1  
OF  
SHT. 1  
A  
4

0a			
ISSUE	CHG. No.	DATE	APPD